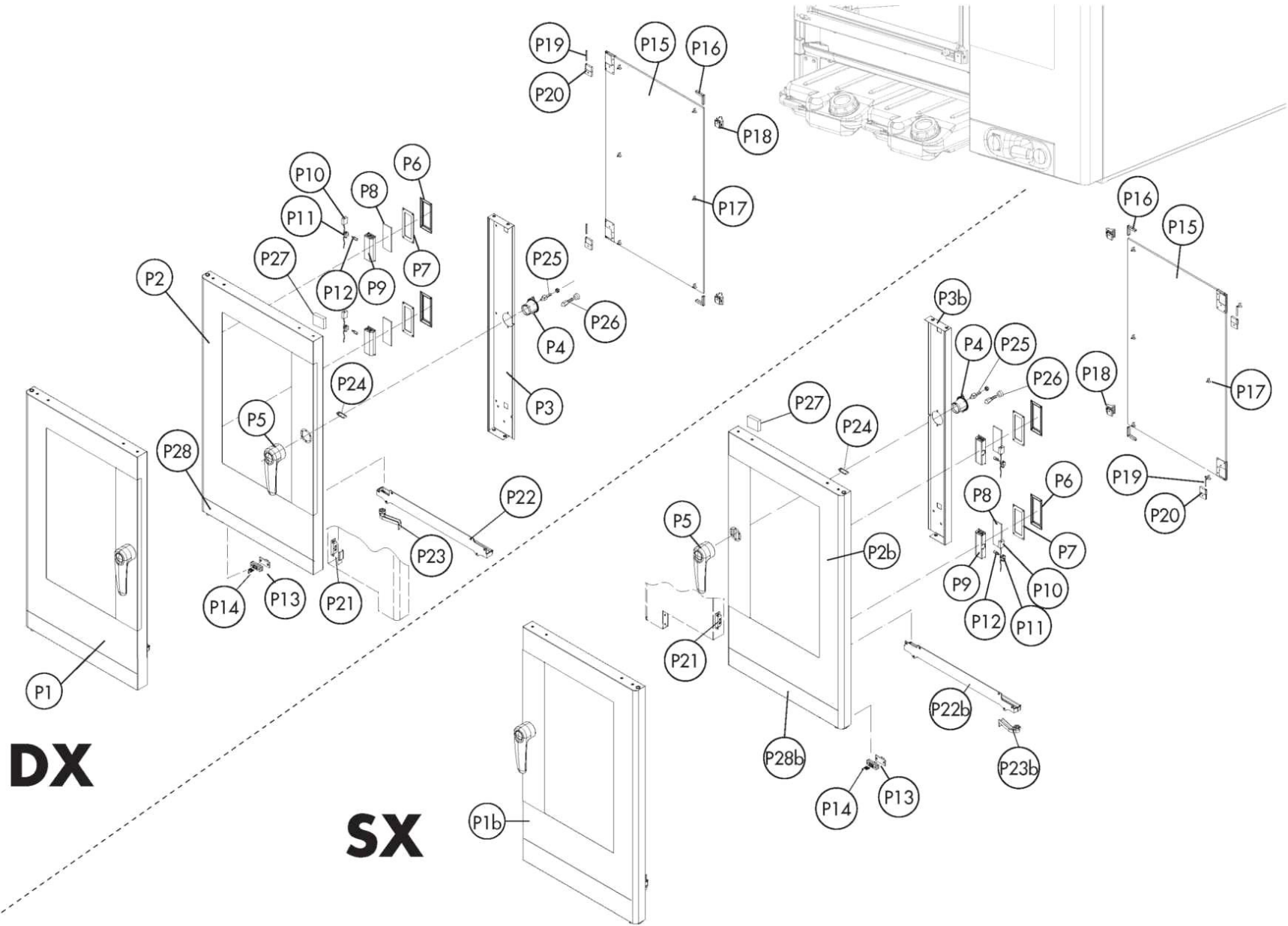


Attenzione! I disegni esplosi si riferiscono al modello generale

TAV. A

Pos.	Code	Codice precedente	Description	Notes	From:	To:
0001	LAR65040530		MOTOR [C] 200/440V 0,55KW F3 4P			
0001	LAR65041320		MOTOR [C] 120V 50/60HZ 0,55KW UL F3-4P	UL Version (USA-CAN)		
0002	LA58003850	LAR58003850	COUNTER FLANGE [C] LARGE			
0003	LA58003840	LAR58003840	FLANGE [C]			
0004	LA70020050	LAR70020050	GASKET [C]			
0005	LA75400440	LAR75400440	FAN [C] D. 350X114 50HZ			
0006	LA58004010	LAR58004010	WASHER [C] D. 30/12,5			
0007	LA58004000	LAR58004000	SCREW [C] M12X1.5			
0008	LA61020562	LAR61020562	SCREW [C] M6X55 UNI 5737			
0009	LAR69150110		CAP [C]			
0010	LA70050140	LAR70050140	GASKET [C] BOILER CAP			
0012	LA62090908	LAR62090908	CONNECTOR [C] D.10			
0013	LA80150060	LAR80150060	PIPE [C]			
0014	LA62090528	LAR62090528	CONNECTOR [C] 10X10			
0015	LAR65110330		DOUBLE SOLENOID VALVE 2 WAYS 230V 50/60HZ OUT J.G. D.10			
0016	LA62090798	LAR62090798	REDUCTION [C] \bar{A} , 8- \bar{A} , 6			
0017	LA80150020	LAR80150020	PIPE [C]			
0019	LAR65110620		PUMP [C] 230V 50HZ			
0020	LA80150020	LAR80150020	PIPE [C]			
0021	LA62090878	LAR62090878	CONNECTOR [C] D.8			
0022	LA11201990	LAR11201990	EXTENSION [C] SPRINKLER MG101-102			
0024	LA62090908	LAR62090908	CONNECTOR [C] D.10			
0025	LA80150060	LAR80150060	PIPE [C]			
0026	LA70010370	LAR70010370	GASKET [C]			
0027	LAR65320220		PROBE [C] K 6X80 1,5ML			
0028	LA62070023	LAR62070023	BICONE [C] D. 6			
0029	LA62060223	LAR62060223	NUT [C] D. 6			
0030	LAR58006690		CAP [C] SERIE 2014			
0031	LAR65095000	LAR65090220	MOTOR [C] VENTING			
0033	LA70010150	LAR70010150	GASKET [C] 55X35X3			
0034	LAR14201040		DEFLECTOR [C] N/S101 2014			
0035	LA75300070	LAR75300070	PLATE [C] FAN D.350 N/S101 2014			
0036	LAR58003110		PIN [C]			
0037	LA14402130	LAR14402130	HINGE [C]			
0038	LA58000370	LAR58000370	PIVOT HINGE			

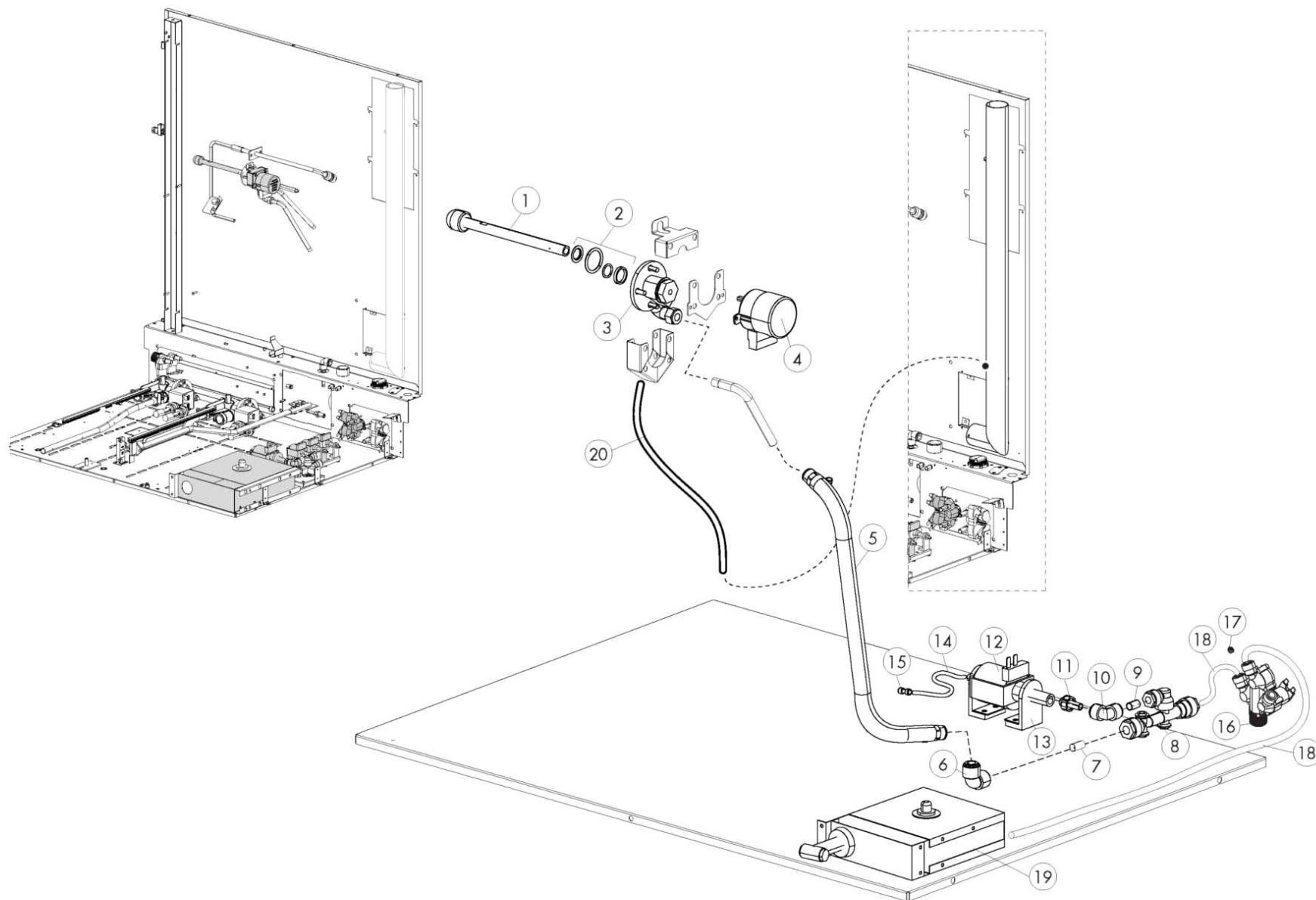
Pos.	Code	Codice precedente	Description	Notes	From:	To:
0039	LA58004050	LAR58004050	NUT [C] FOR HINGE PIN M/106-220			
0040	LA11207240	LAR11207240	LOWER HINGE KIT [C] M-V/061-101-102 2005			
0041	LA58002670	LAR58002670	PIN [C] HINGE SR.2005			
0042	LA58000360	LAR58000360	NUT [C] FOR HINGE PIN N/S 2014			
0044	LAR69180210		DRAIN CONTAINER [C] N/S071-101 2014			
0045	LA69180250	LAR69180250	FILTER [C] BASIN DRAINAGE			
0046	LA14443120	LAR14443120	RACK [C] GN N/S 101 2014			
0047	LAR10201710		FILTER [C] D.86/44.5 M/210-12			
0049	LA70060040	LAR70060040	COUPLING [C] D. INT 51 D. EXT 59			
0050	LAR70060080		COUPLING [C] D. 13X18X80			
0051	LA69180120	LAR69180120	BOX [C]			
0052	LA58006160	LAR58006160	NOZZLE [C] D. 0,80			
0053	LA62090633	LAR62090633	CONNECTOR [C] 10/10			
0054	LAR70050150		GASKET [C] BOILER CAP			
0055	LA69150100	LAR69150100	CAP [C]			
0056	LAR61630031		ZINC CLAMP [C] 40-60/9			
0057	LA62280038	LAR62280038	CURVE [C] D.50 D.50X			
0058	LAR65240010		FAIRLEAD [C] PG 107 Z/1			



Attenzione! I disegni esplosi si riferiscono al modello generale

TAV. B - LCS

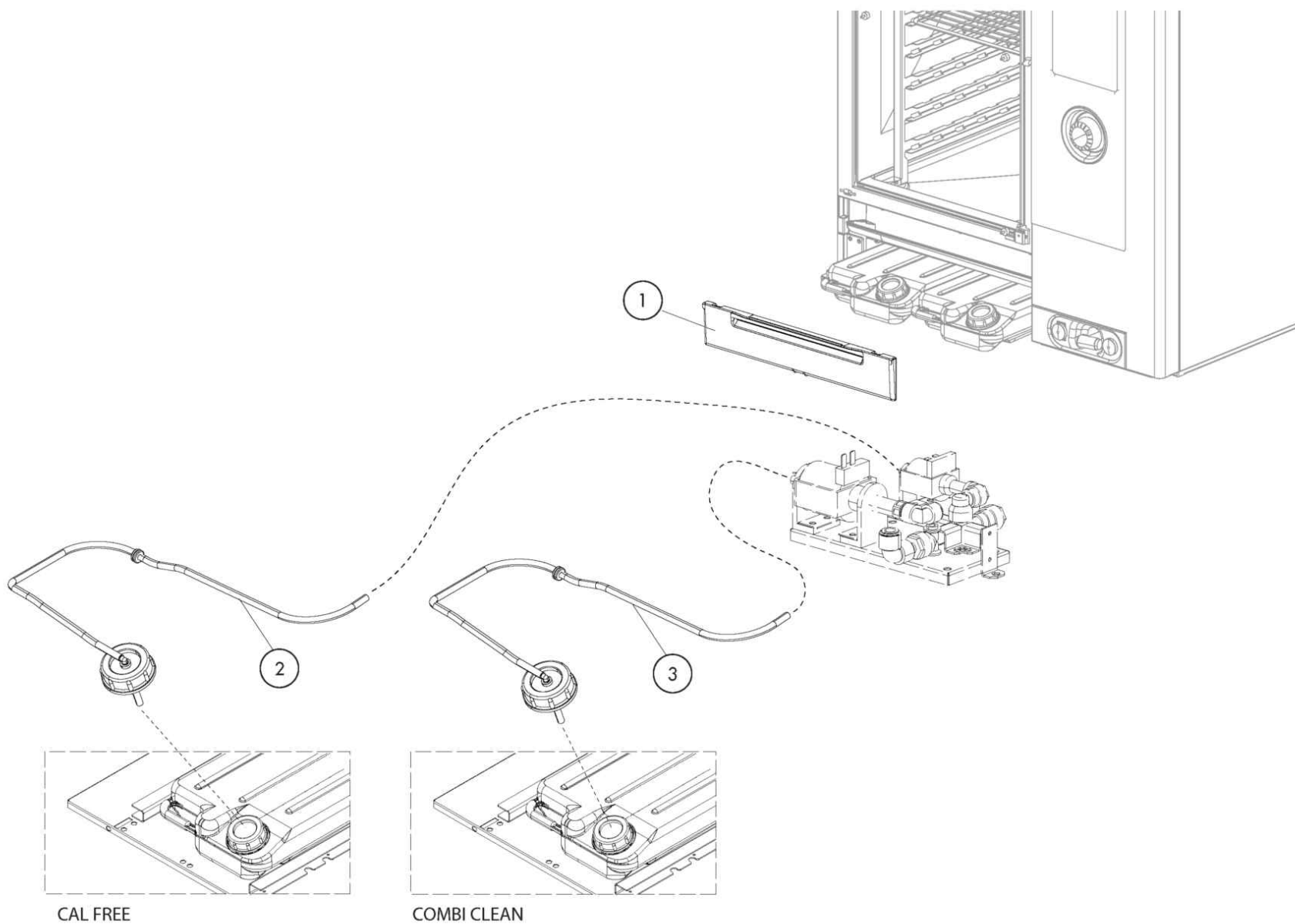
Pos.	Code	Codice precedente	Description	Notes	From:	To:
OOP1	LAR14171930		PORTA COMPLETA NA_101 C/TANICHE PORTA COMPLETA NA_101 C/TANICHE			
OOP2	LAR14203770		PORTA ESTERNA NA_101 C/TANICHE			
OOP3	LA67016550	LAR67016550	COATING [C]			
OOP4	LAR69010630		COVERING [C] GROUP 6303			
OOP5	LA69010190	LAR69010190	LOCK [C] 6303 N/S2014			
OOP6	LA11401450	LAR11401450	FLANGE [C]			
OOP7	LA70044200	LAR70044200	GASKET [C]			
OOP8	LA71500150	LAR71500150	GLASS PLATE [C] P2000			
OOP9	LA11401440	LAR11401440	LAMP COVER [C]			
OP10	LA66110320	LAR66110320	DOOR LIGHTS CABLE SET [C] MV101-102			
OP11	LA65270450	LAR65270450	LAMP HOLDER [C]			
OP12	LA65270020	LAR65270020	BULB [C] 12V 20W G4			
OP13	LAR65260752		CONTACT [C] LIGHTS SR.2014			
OP14	LA61600031	LAR61600031	GASKET [C] D.3,2 UNI 7434			
OP15	LAR71202190		GLASS PLATE [C] N/S101 2014 494x810x6			
OP16	LA11423460	LAR11423460	PROTECTION [C] DOOR GLASS K E T 2011			
OP17	LAR70050180		SPACER [C] GLASS 15x8 M4x12 A2			
OP18	LAR58001780		CATCH [C] DOOR P2000			
OP19	LA58001770	LAR58001770	PIN [C]			
OP20	LA58001760	LAR58001760	HINGE [C] GLASS SR2000			
OP21	LAR65265100		MICROSWITCH [C]			
OP22	LAR69180220		DOOR CONTAINER [C] N/S071-101 2014			
OP23	LA69180010	LAR69180010	DRAIN [C]			
OP24	LA61620132	LAR61620132	SPRING [C]			
OP25	LA69010260	LAR69010260	PRONG [C]			
OP26	LAR69010270		PRONG [C]			
OP27	LAR11420660		FLANGE [C]			
OP28	LAR67017890		RIVESTIMENTO PORTA N/S071/101 C/ TANICHE			
OP3b	LA67016730	LAR67016730	COATING [C]			
P23b	LA11202240	LAR11202240	DRAIN [C]			



Attenzione! I disegni esplosi si riferiscono al modello generale

TAV. D

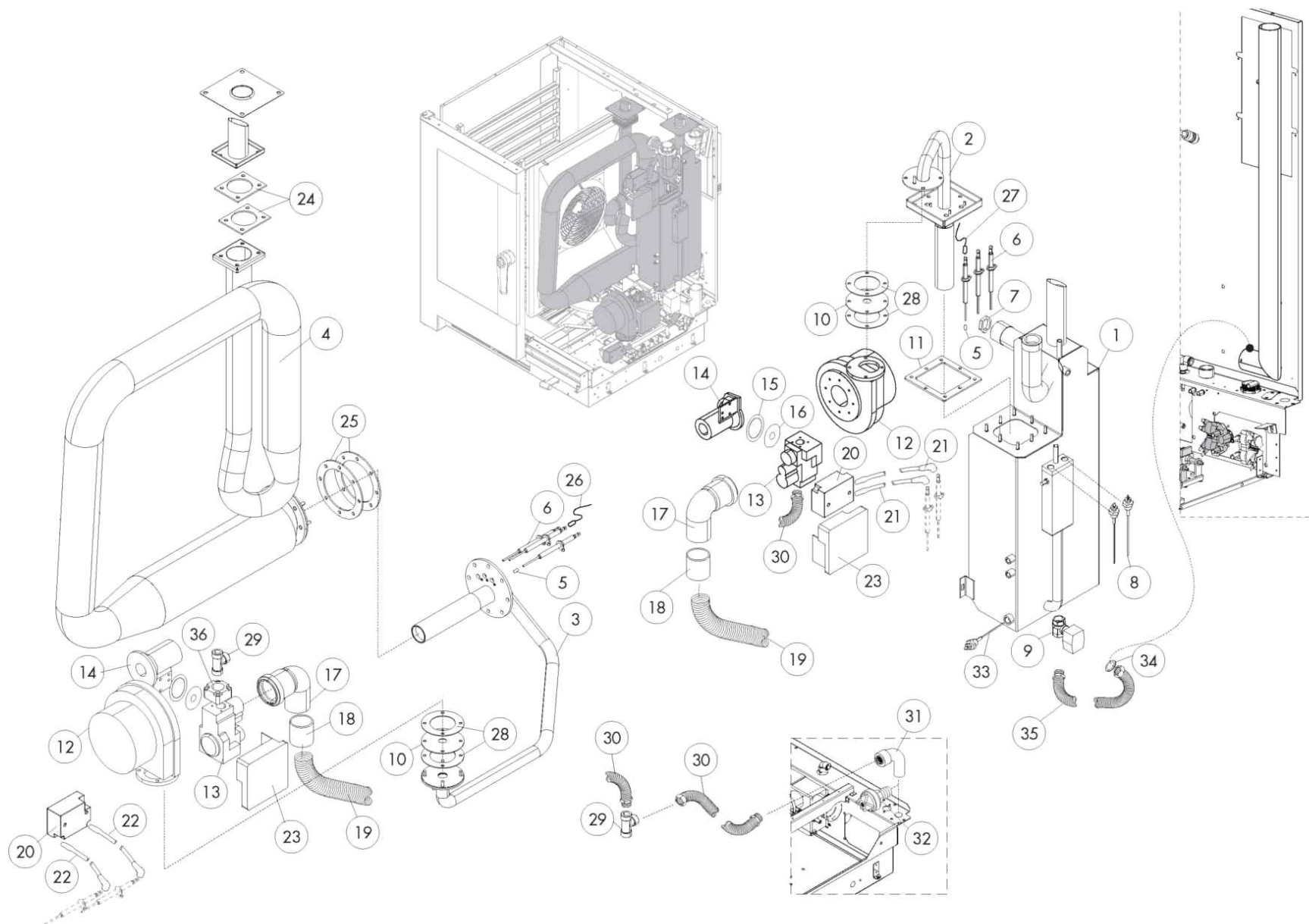
Pos.	Code	Codice precedente	Description	Notes	From:	To:
0001	LAR58007030		WASHING HEAD [C] L=165 (2/1)			
0002	LAR70045120		GASKET [C]			
0003	LAR58007020		FLANGE [C]			
0004	LA65090260	LAR65090260	GEARMOTOR [C]			
0006	LA62090478	LAR62090478	CONNECTOR [C] D.10			
0007	LA80150000	LAR80150000	PIPE [C]			
0008	LA62090888	LAR62090888	MANIFOLD [C] 3WAYS-2D.10+1D.8+3 NO RETURN CONTROL			
0009	LA80150020	LAR80150020	PIPE [C]			
0010	LA62090498	LAR62090498	CONNECTOR [C] D.8			
0011	LA62090608	LAR62090608	END SIDE PIPE [C] 8x1/8			
0012	LAR65110600		PUMP [C]			
0014	LA80150020	LAR80150020	PIPE [C]			
0015	LA62090878	LAR62090878	CONNECTOR [C] D.8			
0016	LAR65110240		SOLENOID VALVE [C] 220V 50HZ 2P+1D 3 WAYS			3/2/2015
0016	LAR65110360		DOUBLE SOLENOID VALVE 3 WAY D.10			
0017	LA65110510	LAR65110510	REGULATOR [C] RED ALPHATECH. 15LT/ H			
0018	LA80150000	LAR80150000	PIPE [C]			
0019	LA62200172	LAR62200172	SHOWER HEAD [C] N071/101/072/102 2014			
0020	LA80120060	LAR80120060	PIPE [C]			



Attenzione! I disegni esplosi si riferiscono al modello generale

TAV. F - LCS

Pos.	Code	Codice precedente	Description	Notes	From:	To:
0001	LAR69180340		DOOR [C]			
0002	LA14171820	LAR14171820	PIPE [C]			
0003	LAR14171790		PIPE [C]			



Attenzione! I disegni esplosi si riferiscono al modello generale

TAV. H

Pos.	Code	Codice precedente	Description	Notes	From:	To:
0001	LAR14218200		BOILER [C] GGMT10-NAGB/SAGB101			
0002	LAR14218310		BURNER [C] BOILER GGMT10 NA/ SAGB101 2014			
0003	LAR14216920		BURNER [C] COMBUSTION CHAMBER T10 2011			
0004	LAR14216950		EXCHANGER [C] T10 2011			
0006	LAR63050130		IGNITOR [C] A/SMĀ, 9.5 KA1Ā, 3 145/95 90Ā°'06			
0007	LAR58004030		INOXNUT [C] 11/4X8 M/110-210			
0008	LA65320010	LAR65320010	PROBE [C] LEVEL TL 10/B			
0009	LAR65110570		VALVE [C] 230V			1/29/2017
0009	LAR65110571		VALVE [C] 230V		1/30/2017	
0010	LA11430350	LAR11430350	ORIFICE [C] FAN/BURNER D.18			
0011	LA63140060	LAR63140060	GASKET [C] BURNER 18-27 KW			
0012	LA65060360	LAR65060360	FAN [C] RG128/1300			
0013	LAR63020170		VALVE [C] GAS			
0014	LA63120030	LAR63120030	VENTURI TUBE [C]			
0015	LA70050090	LAR70050090	GASKET [C]			
0016	LA58004190	LAR58004190	ORIFICE [C] D4 MM			
0017	LAR62280078		CURVE [C] HTB DN50 87,5Ā°			
0018	LA70060121	LAR70060121	COUPLING [C] D. EXT 45.4 D. INT 35			
0019	LAR77700056		PIPE [C] D. 30			
0020	LA65180260	LAR65180260	TRANSFORMER [C] TRK2-40VDY1		1/30/2017	
0020	LA65180270	LAR65180270	TRANSFORMER [C] TRK2-30PVD			1/29/2017
0021	LA66605150	LAR66605150	CABLE [C] 90Ā° D.6,3 L=500		1/30/2017	
0022	LA66605120	LAR66605120	CABLE [C] 90Ā° D.6,3 L=800		1/30/2017	
0023	LA63060160	LAR63060160	IGNITION PANEL [C] Ts=5 Tps=1			
0024	LA63140010	LAR63140010	GASKET [C] BOILER VM-G/061			
0025	LA63140080	LAR63140080	GASKET [C] BURNER De.126 18-27kW			
0026	LAR66605990		CABLE [C] L700 IGNITION CHAMBER- BOILER WHITE			
0028	LA63140050	LAR63140050	GASKET [C]			
0029	LA62090763	LAR62090763	.			
0030	LA62180132	LAR62180132	INOX FLEXIBLE PIPE [C] L. 50CM			
0031	LAR62040203		ELBOW [C] FF 1/2			
0032	LA63070010	LAR63070010	PRESSURE SWITCH [C]			
0033	LA65324550	LAR65324550	PROBE [C] LEVEL CALOUT TL 10/B EL=20 TF=15			
0034	LA70030050	LAR70030050	GASKET [C] D. 16X24			

Pos.	Code	Codice precedente	Description	Notes	From:	To:
0035	LA62180182	LAR62180182	INOX FLEXIBLE PIPE [C] L. 10-20CM			
0036	LAR63080040		FLANGE [C]			